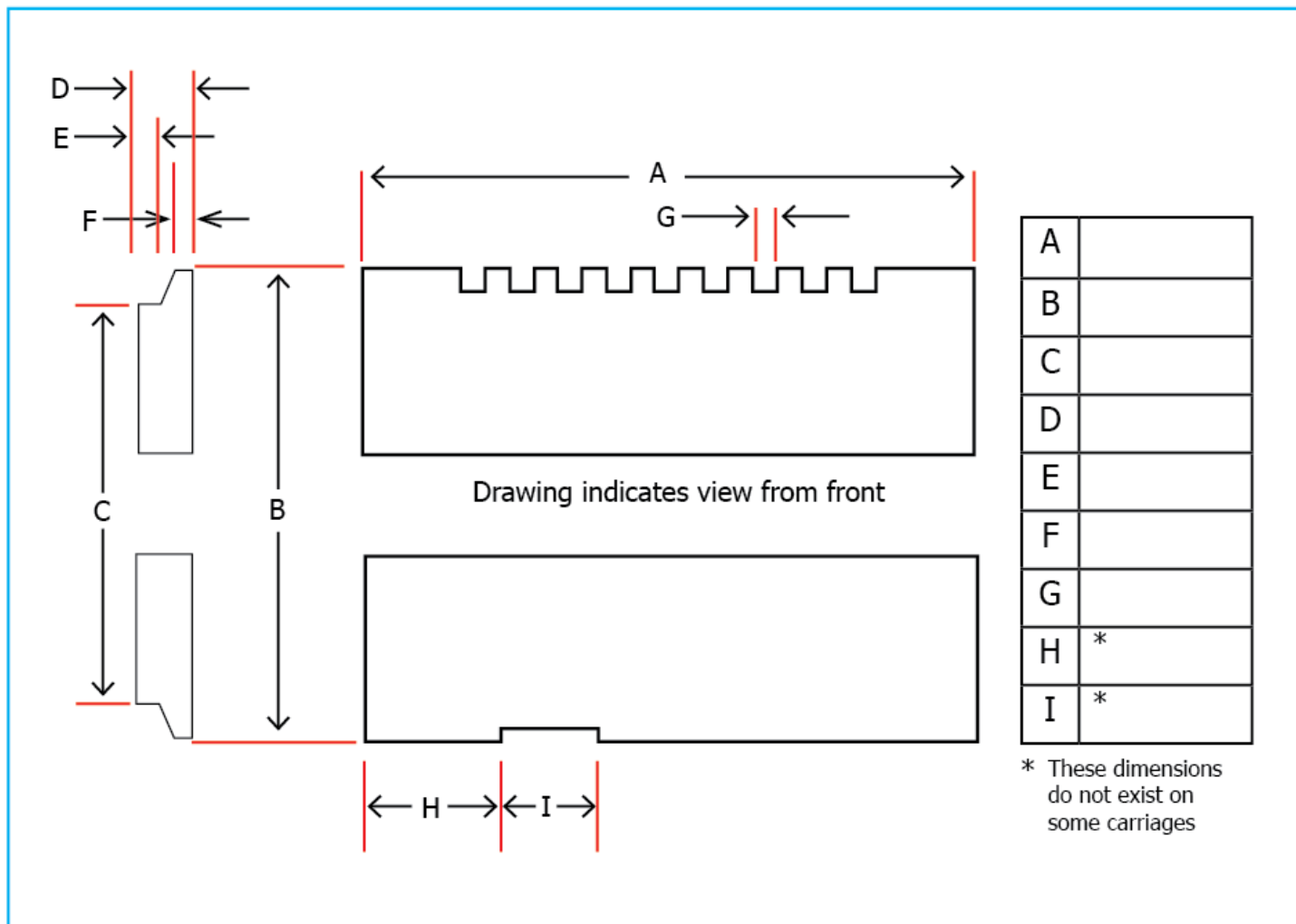


■ TRUCK QUESTIONNAIRE: HOOK-TYPE FORK MOUNTING (Cleat Type)



Truck Make: _____	Model: _____
Capacity: _____	Petrol <input type="checkbox"/> Diesel <input type="checkbox"/> Gas <input type="checkbox"/> Electric <input type="checkbox"/>
Voltage: 12VDC _____ 24VDC _____	36VDC _____ 48VDC _____ Other _____
Maximum Lifting Height: _____	Fork Length: _____
Side Shift: Yes ___ No ___	Other Attachments: _____